

Type 1 SPDs

Square D[®]

Surge Protective Devices

Square D brand Surgelogic[®] Type 1 Surge Protective Devices (SPDs) are compact and affordable arresters available in either single or multi-phase models. Surgelogic SPDs offer a simple means to bring down initial surges to manageable levels in a cascaded SPD system. Their compact design allows surge suppression to be installed adjacent to power panels or directly on sensitive equipment.



by Schneider Electric

Type 1 SPDs Features



Type 1 SPDs are versatile and compact devices designed to provide high-quality surge suppression for a wide variety of commercial, industrial or institutional applications. Square D brand Surgelogic Type 1 SPDs can be used in a cascaded network of suppression applications or as stand-alone surge suppression. Type 1 SPDs can also be installed on the electric meter, on well pumps or on other sensitive electronic equipment. Their NEMA Type 4X rated housing allows installation outdoors.

Superior Performance

Surgelogic Type 1 SPDs utilize high-energy suppression circuitry that can be located at any point in the electrical system. They have the flexibility to be used with or without an Overcurrent Protection Device (OCPD).

Type 1 SPDs provide surge suppression for equipment from severe transient activity. Each MOV is individually fused and the products are enclosed in a NEMA Type 4X housing suitable for installing outdoors or in other harsh environments.

Easy Installation

Surgelogic Type 1 SPDs are some of the most versatile, yet compact devices available on the market today. This compact package can be mounted on an electrical panel, meter socket, or inside electrical control cabinets.

Warranty

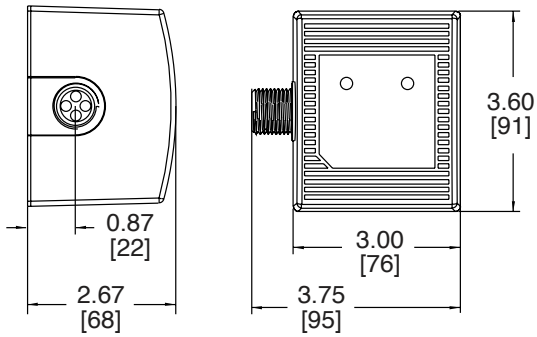
The XR warranty is 10 years. The SDSA1175 warranty is 2 years. The SDSA3650 warranty is 2 years.

FEATURES	ADVANTAGES	BENEFITS
NEMA 4X Enclosures	Allows installation in outdoor applications	Provides surge suppression to vulnerable equipment powered from weather exposed panels
Compact Design	Easily mounts even in restricted spaces	Transient suppression is located at the most efficient connection point
Designed for Type 1 Applications	Can be installed with or without an Overcurrent Protective Device (OCPD)	Allows for flexibility in installation locations
LED Status Indication	Provides visual indication of the suppressor status	Allows immediate indication if suppressor requires replacement
Coordinated Fuse Technology	Fuses capable of passing extreme surge currents	Provides premium surge suppression while managing thermal effects from MOV end of life

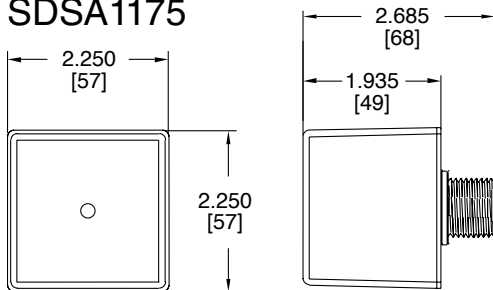
Type 1 SPDs

Features (continued)

XR



SDSA1175



SDSA3650



Type 1 SPDs



Mechanical Description

Housing Rating	NEMA 4X
Connection Method	
XR	#12 AWG
SDSA1175	#14 AWG
SDSA3650	#12 AWG
Mounting Method/Circuit Type	Close Nippled
Thermal Fusing	Yes
Operating Frequency	50/60 Hz
Operating Altitude	Sea Level-12,000' (3,658 m)
Storage Temperature	-40° F to +149° F (-40° C to +65° C)
Operating Temperature	-40° F to +149° F (-40° C to +65° C)

Diagnostics

Green status LED

Listings and Performance

cULus Listed to 1449 3rd edition Type 1 SPD, CSA C22.2 No. 8-M1986, C233.1-87

Type 1 SPDs Specifications

XR

The XR series provides high-quality surge suppression in a compact and versatile package. This product is ideal for panel builders as well as manufacturers and integrators of instrumentation cabinets for industrial, commercial, and residential applications for single-phase power systems.

XR SPDs incorporate the latest overvoltage technology innovations. The series provides superior overvoltage withstand for systems with unstable power without compromising transient clamping performance.

Voltage	Surge Current	Configuration	Model Number	MCOV	SCCR	I _n	VPR		
							L-N	L-G	L-L
120/240 V	50kA	1 Ø, 3-wire+G, side mounted	TVS120XR50S	150V L-N, L-G 300V L-L	25kA	10kA	700V	800V	1200V
120/240 V	80kA	1 Ø, 3-wire+G, side mounted	TVS120XR80S	150V L-N, L-G 300V L-L	25kA	10kA	700V	800V	1200V
120/240 V	100kA	1 Ø, 3-wire+G, side mounted	TVS120XR100S	150V L-N, L-G 300V L-L	25kA	10kA	700V	800V	1200V
120/240 V	120kA	1 Ø, 3-wire+G, side mounted	TVS120XR120S	150V L-N, L-G 300V L-L	25kA	10kA	700V	800V	1200V

SDSA1175

The SDSA1175 Type 1 SPD is designed and listed for indoor or outdoor installation and surge suppression for single-phase three-wire 120/240 Vac 60 Hz electrical services. Two SDSA1175 Secondary Surge Arresters can be installed to provide surge suppression on 208Y/120 Vac three-phase four-wire services.

Voltage	Surge Current	Configuration	Model Number	MCOV	SCCR	I _n	VPR			
							L-N	L-G	L-L	N-G
120/240 V	36kA	1 Ø, 3-wire, back mounted	SDSA1175	150V	22kA	10kA	700V	N/A	1200V	N/A

SDSA3650

The SDSA3650 Type 1 SPD is designed and listed for indoor or outdoor installation and surge suppression of three-phase grounded electrical services from 208Y/120 Vac up to 600 Vac line to line and is used extensively in service entrance panels to provide an efficient and economical means of surge suppression.

Voltage	Surge Current	Configuration	Model Number	MCOV	SCCR	I _n	VPR			
							L-N	L-G	L-L	N-G
600Y/347V	40kA	3 Ø, 4-wire, back mounted	SDSA3650	750V L-N 1500V L-L	200kA	10kA	2500V	N/A	4000V	N/A

Square D and SurgeLogic are trademarks or registered trademarks of Schneider Electric and/or its affiliates in the United States and/or other countries. Other marks used herein may be the property of their respective owners.

Schneider Electric USA, Inc. 1751 S. 4800 W., Salt Lake City, UT 84104, USA Telephone: (801)-977-9009 Fax: (801)-977-0200 www.surgeologic.com