

# Powertracker<sup>®</sup> MPS-6E

## Industrial & Shipboard Surge Protective Device (SPD)

The Powertracker MPS-6E surge protective device (SPD) puts protection where it can do the most good to isolate and protect your most sensitive equipment. The MPS-6E features high-quality surge suppression and noise filtration, and can be conveniently installed at any standard power outlet to reduce disruptive and damaging electrical disturbances.



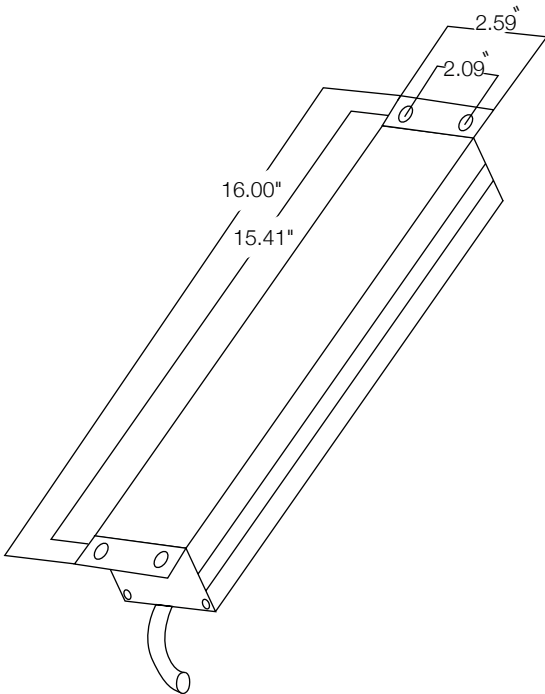
# Powertracker MPS-6E

## Features and Specifications

The Powertracker MPS-6E features a sturdy anodized aluminum housing. The MPS-6E is rugged enough for industrial use and is US Navy Authorized for use aboard naval vessels as a surge and noise suppressor for shipboard power.

The MPS-6E meets or exceeds CID # A-A-50622 for NSN 6150-01-362-7192.

The MPS-6E installs quickly and easily into standard electrical outlets. Its compact design allows it to be used for desktop use or it can be concealed behind or under workstations and furniture. The MPS-6E also comes standard with mounting flanges that are convenient for bulkhead applications.



### MPS-6E



#### Performance

Maximum Surge Current	74kA
EMI/RFI Noise Rejection	Up to -60 dB
Continuous Current	15 A
Clamping Voltage	330 V
Energy Rating	1,110 Joules
Operating Frequency	50/60/400 Hz
Protection Modes	L-N, L-G, N-G
AC Power Cord	6 ft.
Safety Fusing	Thermal Fusing
Let-through Voltage	< 10 V
Sine Wave Tracking	Yes
Circuit Type	High Energy, Multi-Stage Hybrid

#### Diagnostics

Green Status LED	Indicates ground and power suppression
------------------	--

#### Mechanical Description

Dimensions	16" (L) x 2.6" (W) x 2.1" (H)
Weight	2 lb. 2 oz.
Housing	Rugged anodized aluminum
Receptacles	6, NEMA 5-15R
Storage Temperature	-40° F (-40° C) to 149° F (65° C)
Operating Temp.	+14° F (-10° C) to 140° F (60° C)

#### Conformance Criteria

CID # A-A-50622 for NSN 6150-01-362-7192

#### Safety and Performance

UL 1449 2.5 Edition, 2007 requirements, C22.2 No. 8-M1986, IEEE C62.41.1-2002, C62.41.2-2002, C62.45-2002

#### Warranty

Lifetime