

# XR Series SPDs

## Square D Type 1

## Surge Protective Devices

Square D™ brand Surgelogic™ XR series products are compact and affordable Surge Protective Devices (SPDs). XR series SPDs offer a simple means to bring down initial surges to manageable levels and can offer additional value in a cascaded SPD system. Their compact design allows surge suppression to be installed adjacent to power panels or directly on sensitive equipment.



by Schneider Electric

# XR Series SPDs Features

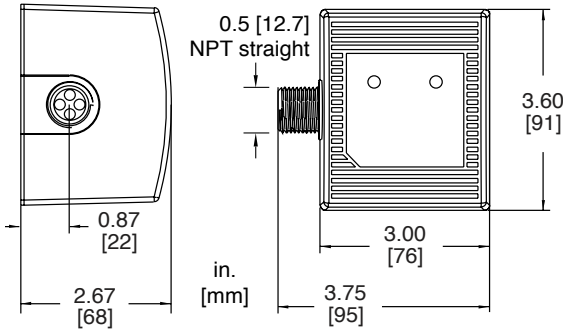
## Superior Performance

Square D brand Surgelologic XR series SPDs utilize high-energy suppression circuitry that can be located at any point in the electrical system. As a Type 1 rated device, they have the flexibility to be used with or without an Overcurrent Protection Device (OCPD).

XR series SPDs provide surge suppression for equipment from severe transient activity. Each MOV is individually fused and the products carry a NEMA Type 4X rating suitable for installing indoors, outdoors, or in other harsh environments.

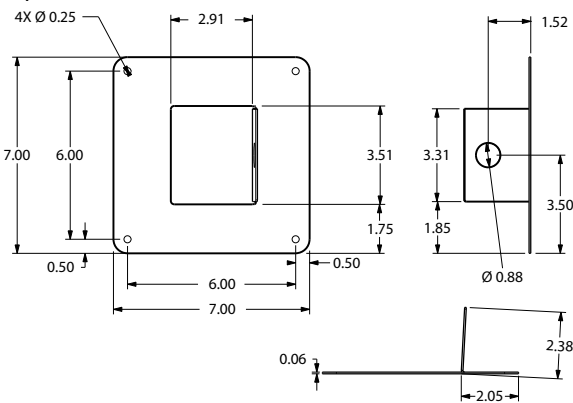
## Warranty

The XR series products warranty is 10 years.



## TVSXRFMK

### Optional XR Flush Mount Kit



## XR SPDs



### Performance

Surge Current Rating per Phase	Up to 80kA
Short Circuit Current Rating	25kA
Modes of Protection	6
Fusing	Individually fused MOVs
Thermal Fusing	Yes
Overcurrent Fusing	Yes
Operating Frequency	50/60 Hz

### Mechanical Description

Enclosure	Plastic
NEMA Rating	Type 4X
Connection Method	#12 AWG, Solid
Weight	1.8 lbs
Mounting Method	Close Nipped, Side Mounted
Operating Altitude	Sea Level-12,000' (3,658 m)
Storage Temperature	-40° F to +149° F (-40° C to +65° C)
Operating Temperature	-40° F to +149° F (-40° C to +65° C)

### Diagnostics

Green status LEDs

### Listings and Performance

cULus Listed to UL 1449 3rd edition Type 1 SPD, CSA C22.2 No. 8-M1986, C233.1-87

Surgelologic XR series SPDs are some of the most versatile, yet compact devices available on the market today. This product can be mounted on an electrical panel, meter socket, or inside electrical control cabinets. It is ideal for panel builders as well as manufacturers and integrators of instrumentation cabinets for industrial, commercial, and residential applications for single-phase power systems.

Voltage	Surge Current per Phase	Modes of Protection	Configuration	Model Number	MCOV	SCCR	I <sub>n</sub>	VPR			
								L-N	L-G	L-L	N-G
120/240V	50kA	6	1 Ø, 3-wire+G, side mount	TVS120XR50S	150V L-N, L-G 300V L-L	25kA	10kA	600V	700V	1000V	1000V
120/240V	80kA	6	1 Ø, 3-wire+G, side mount	TVS120XR80S	150V L-N, L-G 300V L-L	25kA	10kA	600V	700V	1000V	1000V

Square D and Surgelologic are trademarks owned by Schneider Electric Industries SAS or its affiliated companies. All other trademarks are the property of their respective owners.