

MPS-6E & MPS 15E

Industrial & Shipboard Surge Protective Devices (SPDs)

The MPS-6E and MPS-15E Surge Protective Devices (SPDs) suppress transient voltages where it can do the most good to isolate sensitive equipment from damaging surges. The MPS-6E and MPS-15E feature high-quality surge suppression and noise filtration, and can be installed at any standard power outlet to reduce disruptive and damaging electrical disturbances.



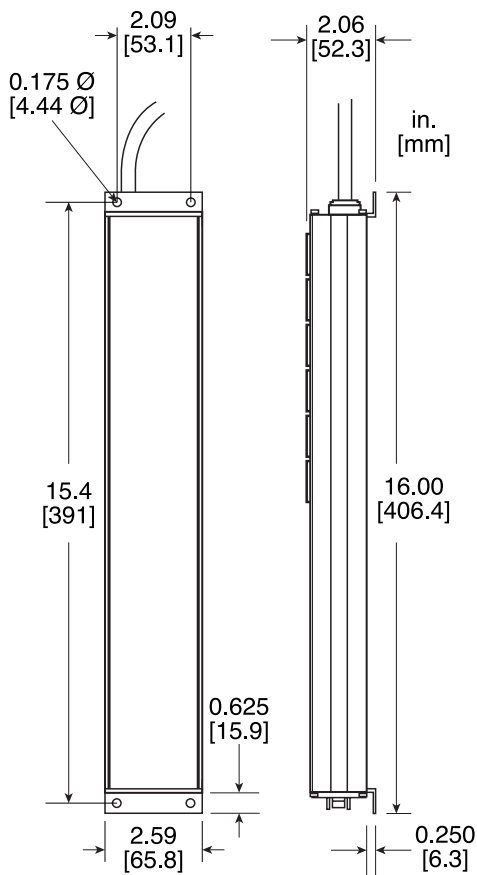
MPS-6E & MPS-15E

Features and Specifications

The MPS-6E and MPS-15E feature a sturdy anodized aluminum housing. The MPS-6E and MPS-15E are rugged enough for industrial use and are US Navy Authorized for use aboard naval vessels as a surge and noise suppressor for shipboard power.

The MPS-6E and MPS-15E meet or exceed CID # A-A-50622 for NSN 6150-01-362-7192.

The MPS-6E and MPS-15E install into standard electrical outlets. Their compact design allows desktop use or they can be concealed behind or under workstations and furniture. The MPS-6E and MPS-15E also come standard with mounting flanges for bulkhead applications.



MPS-6E & MPS-15E



Performance

Max. Continuous Operating Voltage	150 Vac
Max. Continuous Operating Current	15 A
Operating Frequency	50/60 Hz
Fusing, Thermal, Line & Neutral (L, N)	115 °C
Fusing, Surge	1000 Amps ² Seconds
Breaker, Magnetic, Dual Pole	15 Amp/120 Vac
Sine Wave Tracking	Yes
EMI/RFI Noise Attenuation	Up to -90 dB
Suppression Modes	L-N, L-G, N-G
SPD Circuit	Multi-Stage Hybrid
Maximum Surge Current	20 kA per mode
I(n)	3 kA
VPR	800 V L-N & L-G, 1000 V N-G
Energy Rating	260 Joules per mode
AC Power Cord, MPS-6E	6 feet
AC Power Cord, MPS-15E	15 feet
Green Status LED	SPD & Power On Status

Mechanical Description

Dimensions	16" (L) x 2.6" (W) x 2.1" (H)
Weight, MPS-6E	2 lb. 4 oz.
Weight, MPS-15E	3 lb. 1 oz.
Top & End Plates	Black anodized aluminum
Housing Case	Clear anodized aluminum
Receptacles	6, NEMA 5-15R
Storage Temp.	-40 °F (-40 °C) to 149 °F (65 °C)
Operating Temp. 7 Amps or Less	+14° F (-10 °C) to 140 °F (60 °C)
Operating Temp. 7 Amps to 15 Amps	+14° F (-10 °C) to 113 °F (45 °C)

Conformance Criteria

CID # A-A-50622 for NSN 6150-01-362-7192

Safety and Performance

UL 1449 3rd Edition, May 3, 2010
C22.2 No. 8-M1986 4th Edition, 2008

Warranty

Limited Lifetime